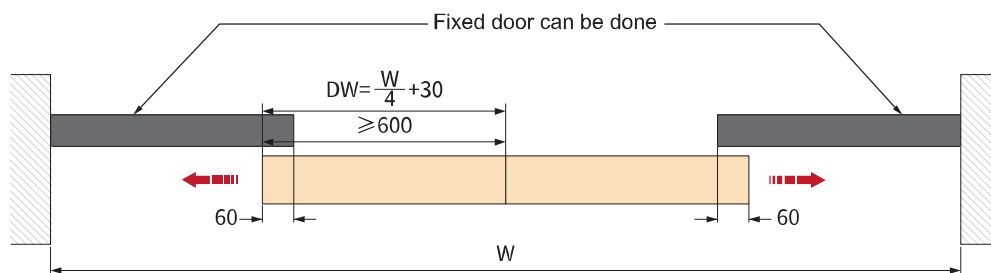
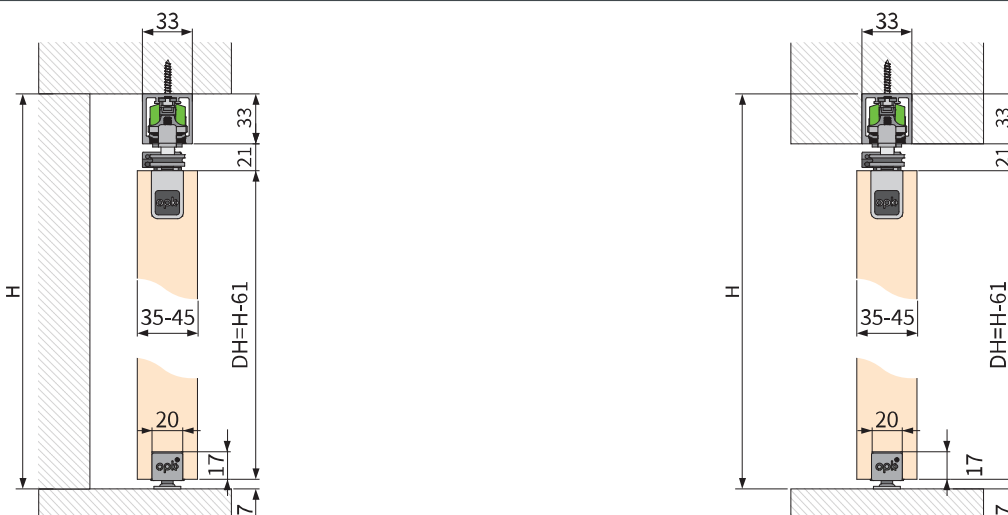
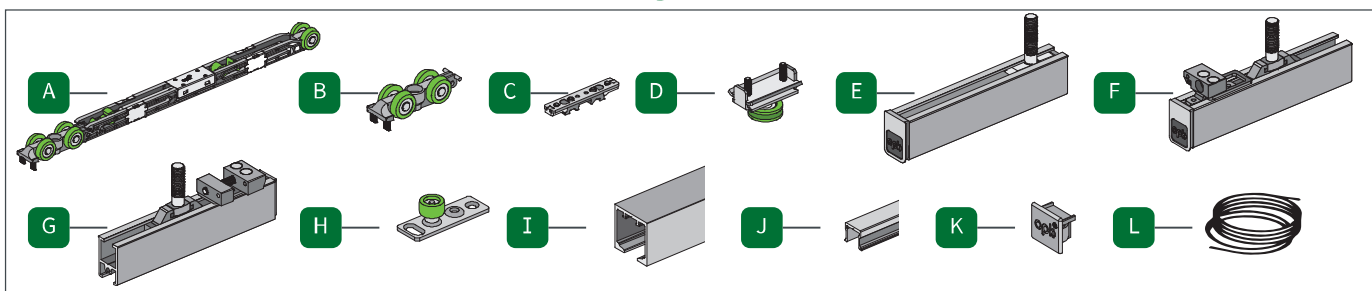
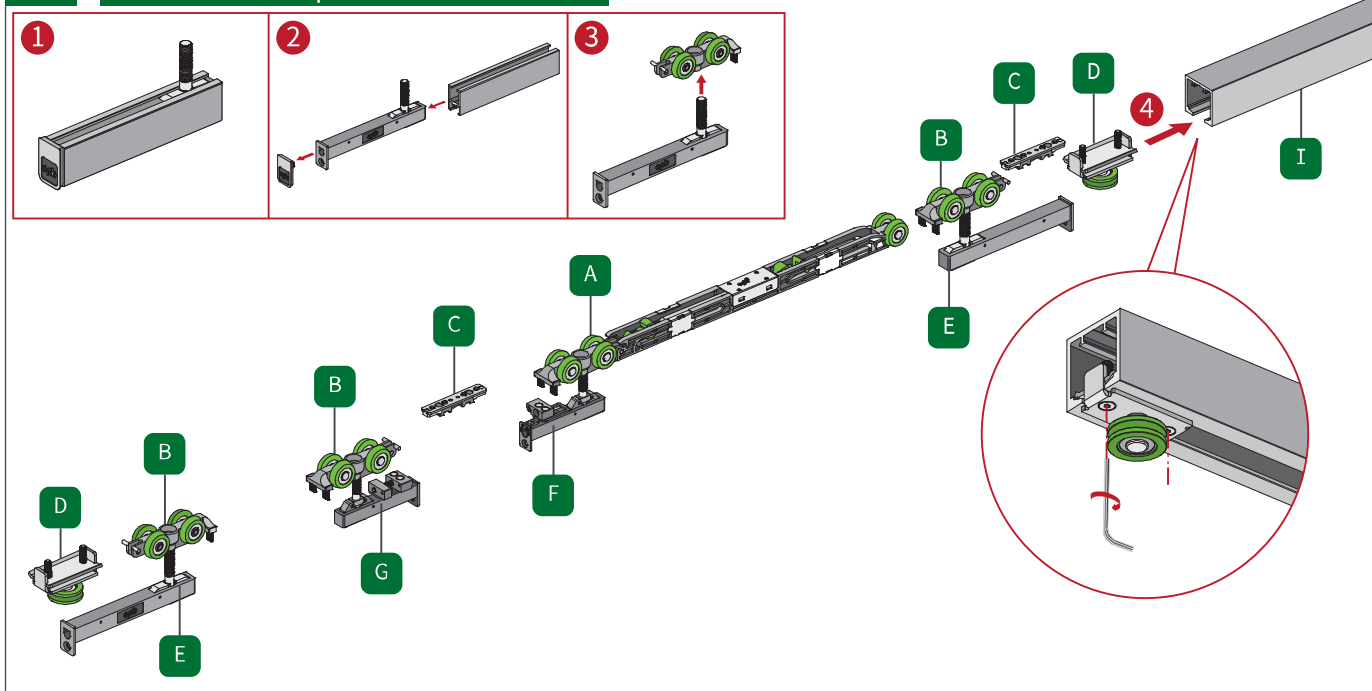


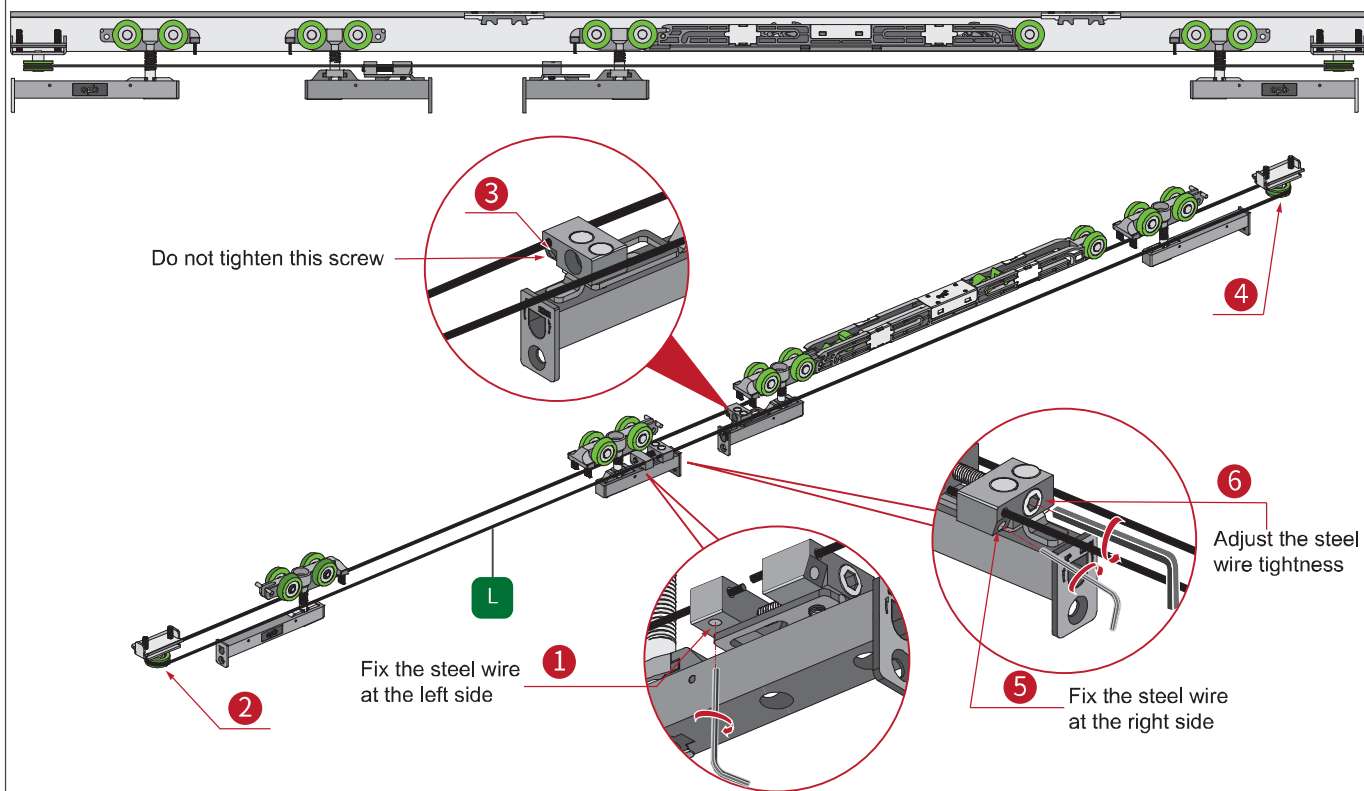
# opk Spaceship Synchro W Minimal Mounting Instruction



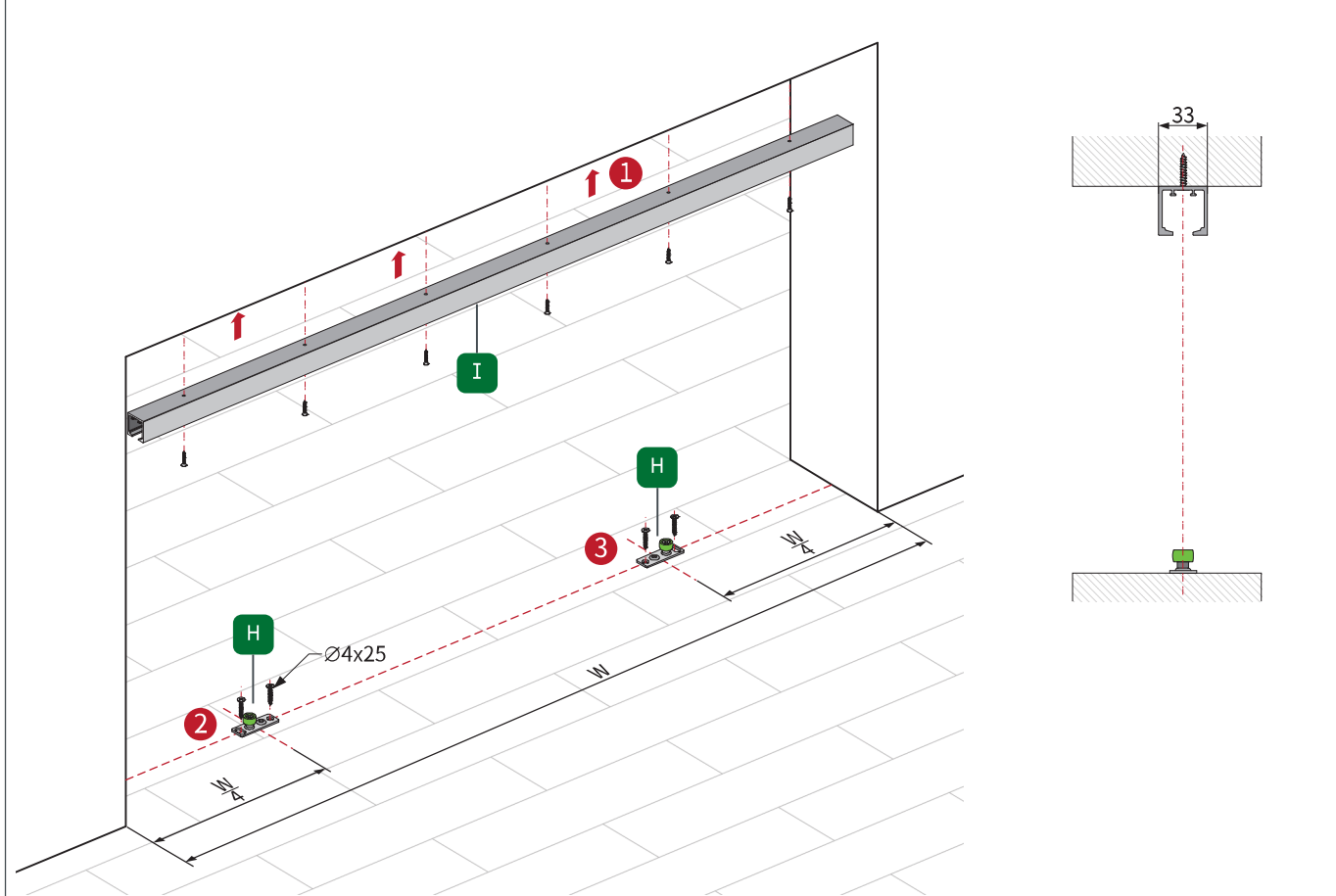
## 1 Install the components in the track



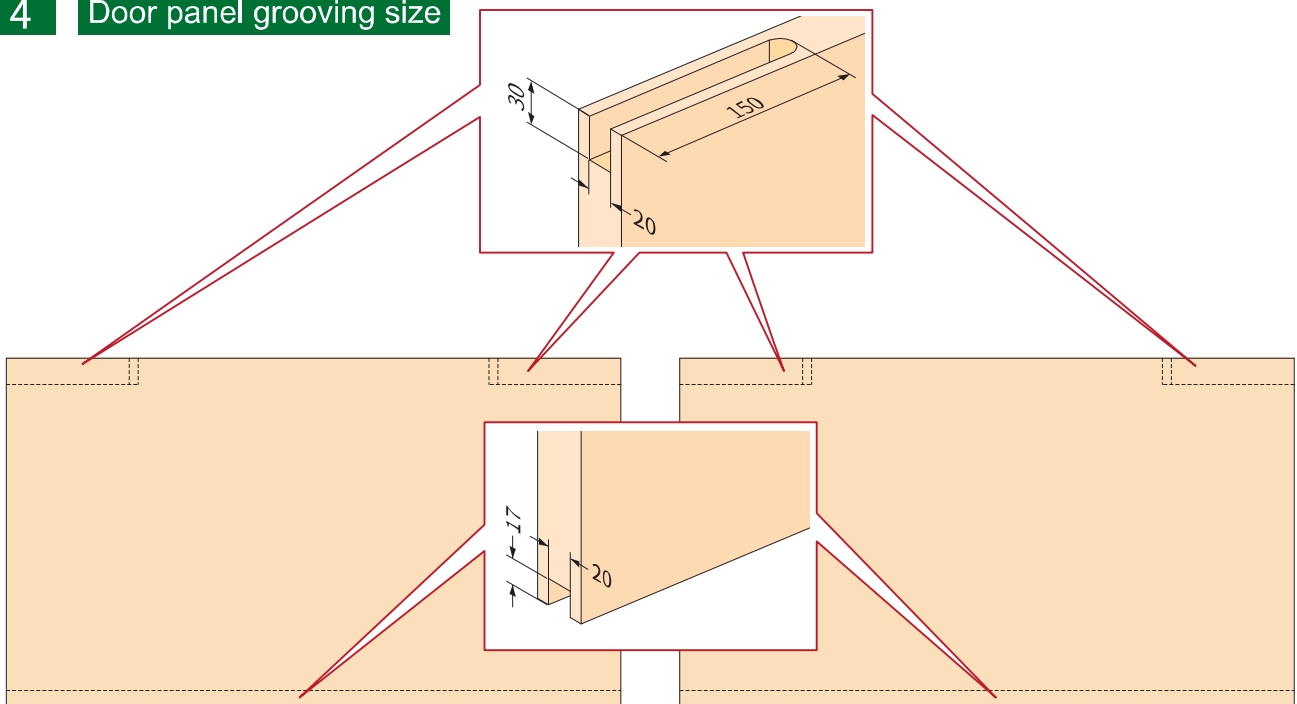
## 2 Coil the steel wire



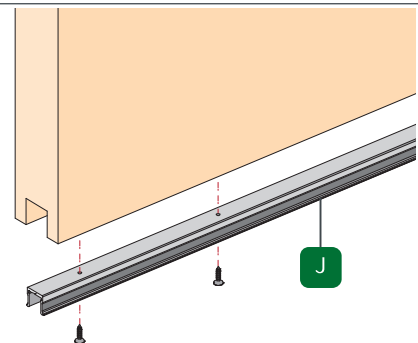
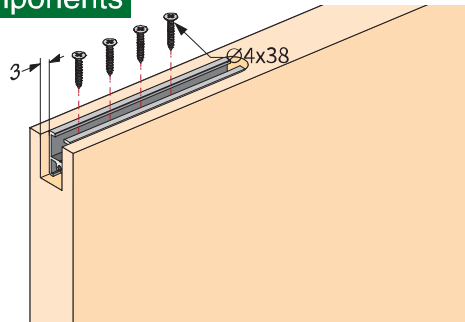
## 3 Install the running track and the bottom guide



**4** Door panel grooving size



**5** Install components



**6** Install door panel

