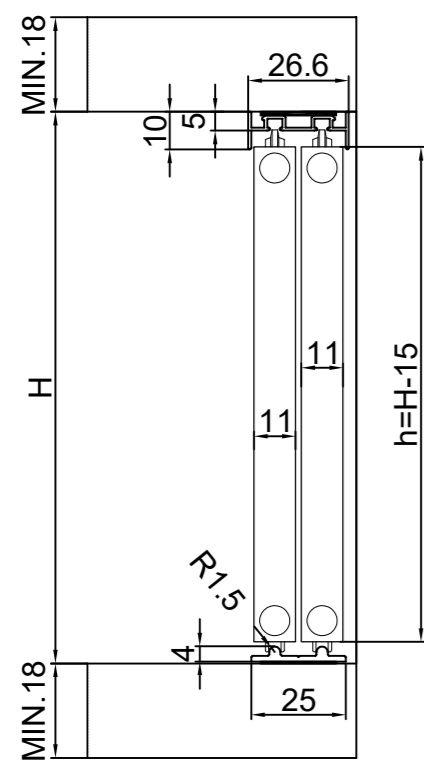
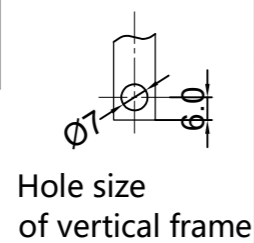


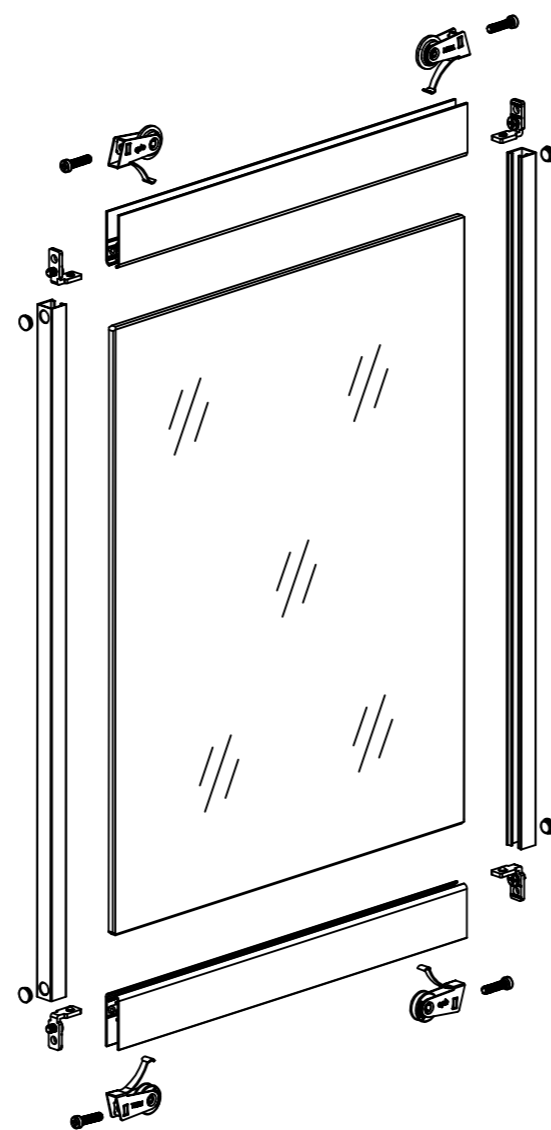
Door with vertical frame



Door without vertical frame

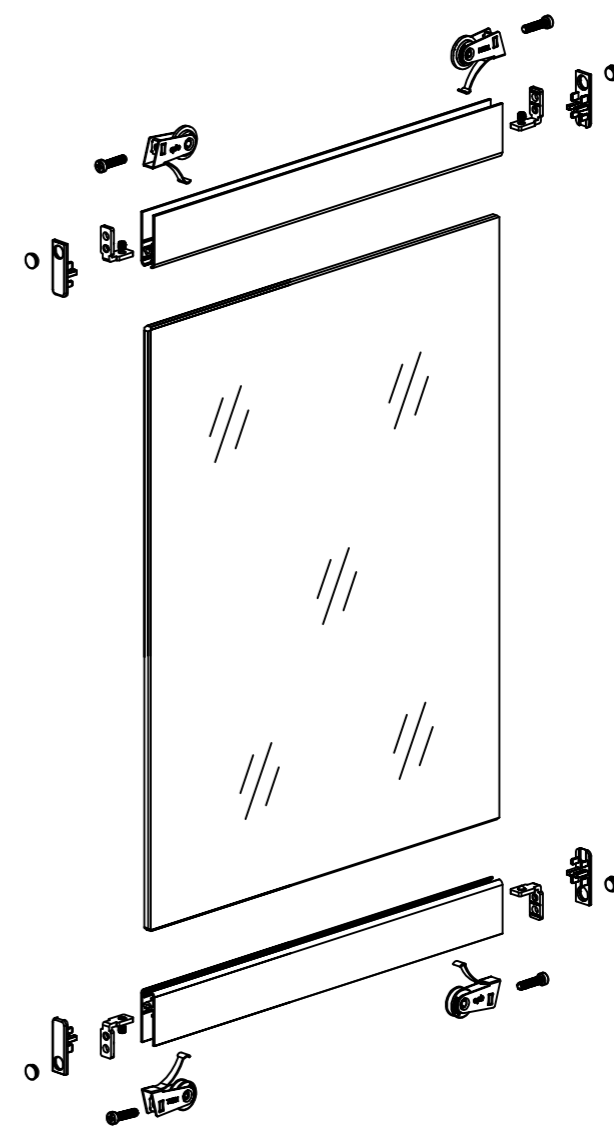


Door with vertical frame installation



Horizontal frame length= $w1-21\text{mm}$   
 Vertical length= $h$   
 Glass door size: Length= $w1-3\text{mm}$ , Height= $h-47\text{mm}$

Door without vertical frame installation



Horizontal frame length= $w2$   
 Glass door size: Length= $w2+2\text{mm}$ , Height= $h-47\text{mm}$

<p>OPK Europe GmbH                  Junghansstraße 16                  72160 Horb am Neckar</p>	Miniroller		Creator: LXP		Name: Miniroller	
	Description: Application for single and double glass sliding door. Door panel installation height is adjustable.		Ratio/Verhältnis: 1:2	Format: A3		
	Date/Datum: 24/05/19		Page / Seite: 2/2			
	We reserve the right to make changes. No responsibility is accepted.					