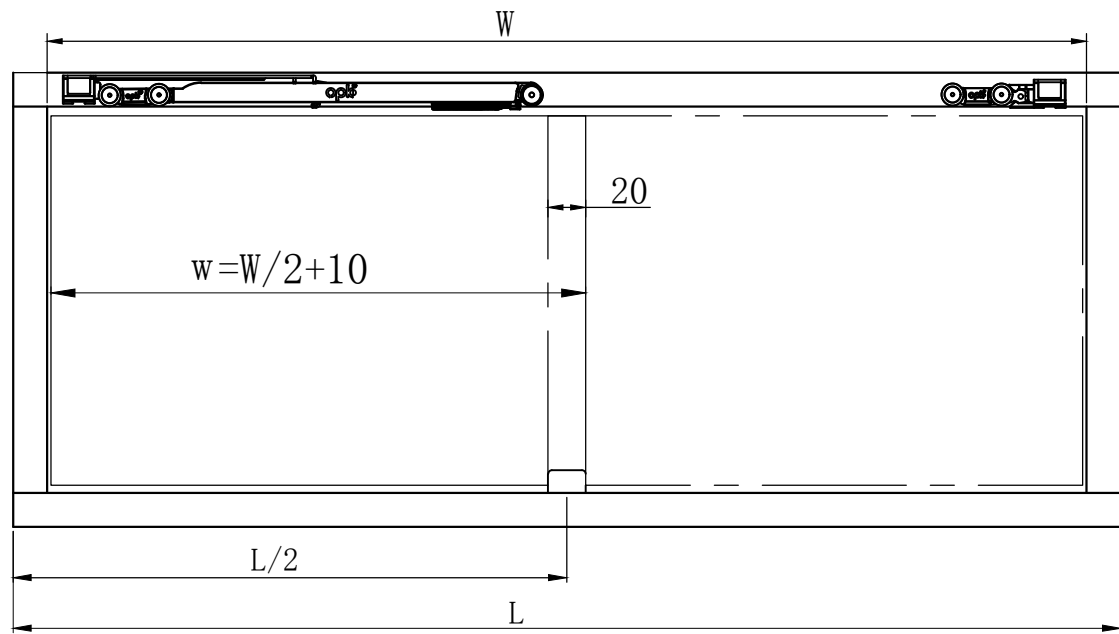
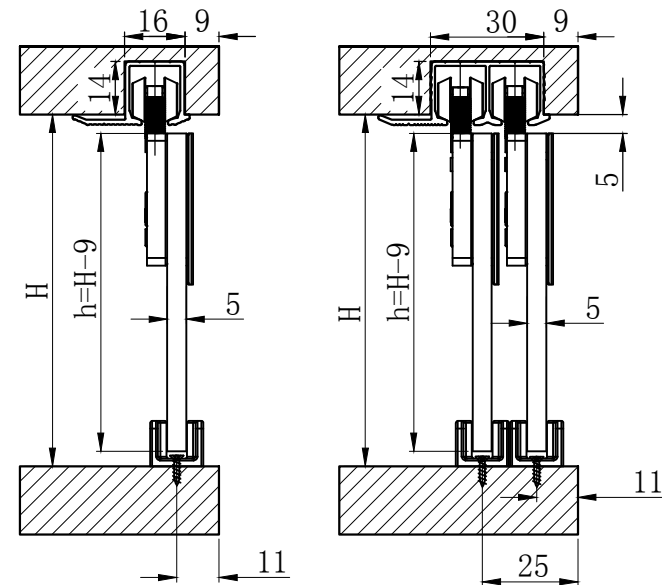


Cabinet requirements/Schrank Türbreitenberechnung

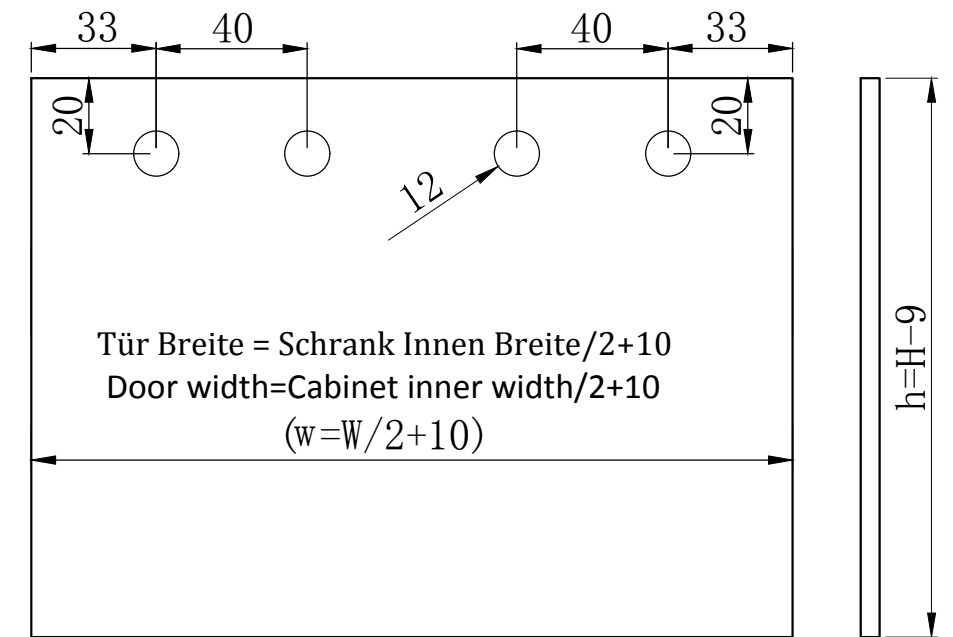


Installation instruction/Einbau Anleitung

Single door/1 Türe Double doors/2 Türen



Door panel processing parameters/Tür Bearbeitungsparameter

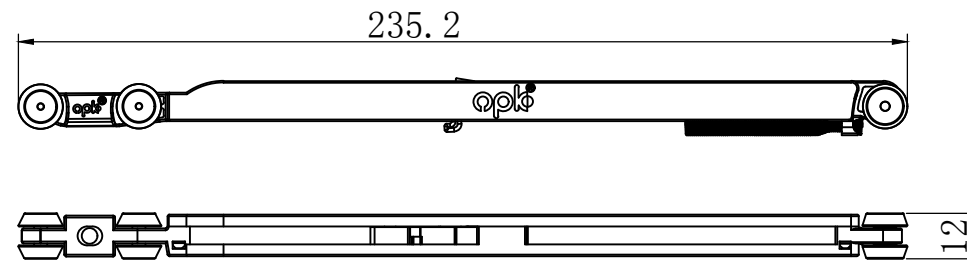


Single track groove sizes/Einfach-Schiene Nut Maße

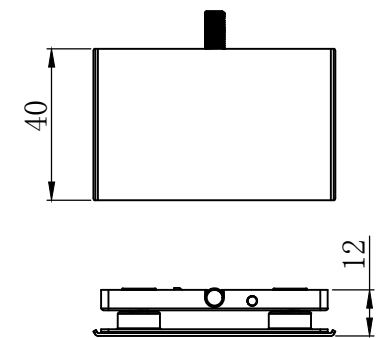


Single track/  
Einfach-Schiene

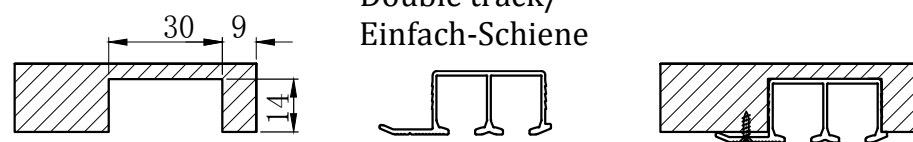
Running part with damper/Laufwagen mit Dämpfer



Housing glass/Glas Aufnahme

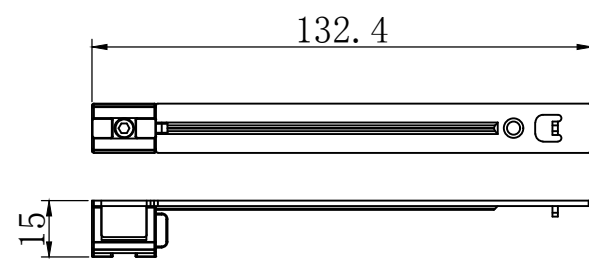


Double track slotting sizes/Doppel-Schiene Nut Maße

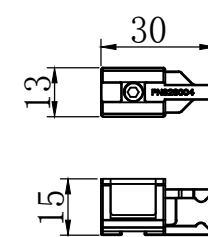


Double track/  
Einfach-Schiene

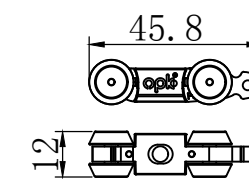
Activator stopper/Aktivator stopper



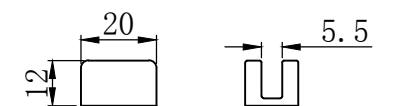
Stopper/Stopper



Running part/Laufwagen



Guiding part/Führung unten



<p>OPK Europe GmbH Jungbansstraße 16 72160 Horb am Neckar</p>	Speedboat glass connecting		
	Creator: QYD	Name: Speedboat glass door	
	Description: Application for single and double glass sliding door. Door panel installation height is adjustable; Single door weight ≤ 20kg	Ratio/Verhältnis: 1:2	Format: A3
	Date/Datum: 22/11/18	Page / Seite: 1/1	

We reserve the right to make changes. We do not accept rifles.