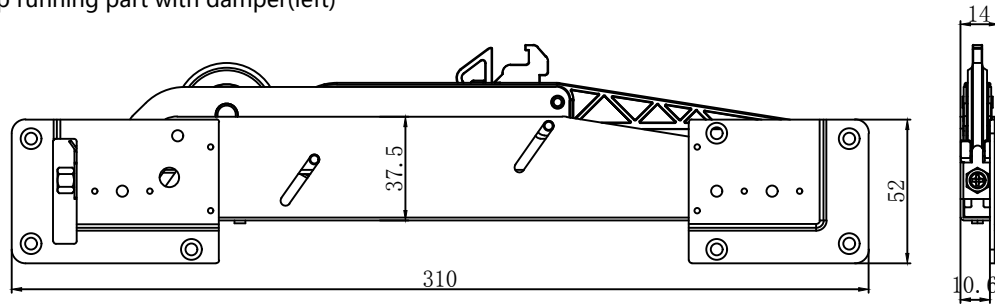
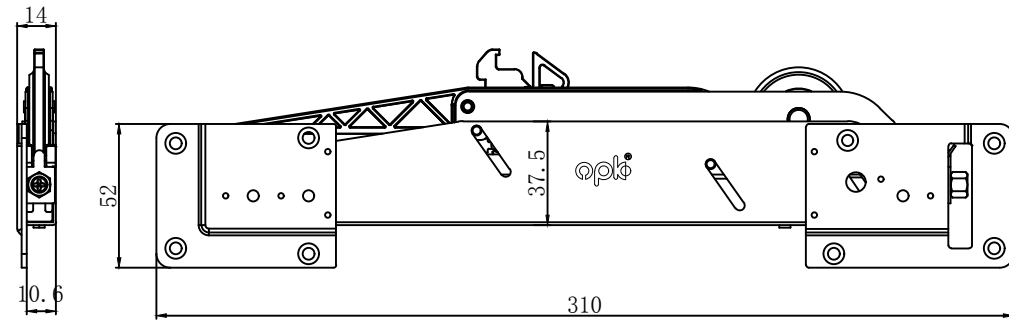


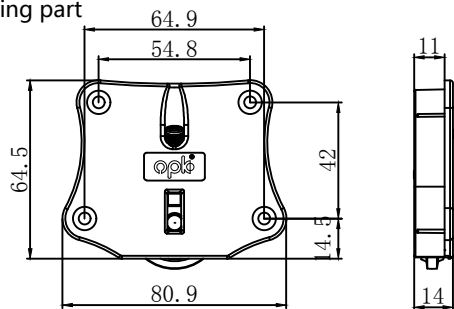
Top running part with damper(left)



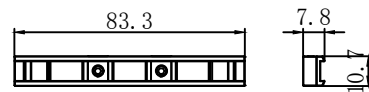
Top running part with damper(right)



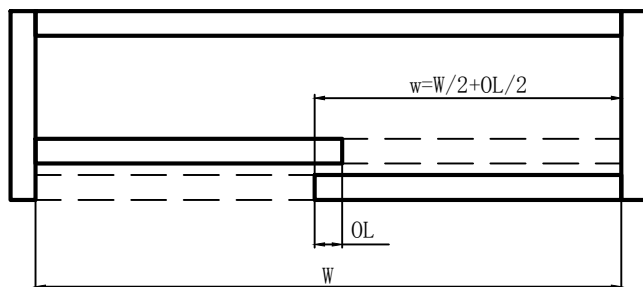
Running part



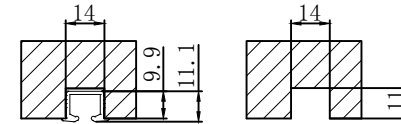
Stopper



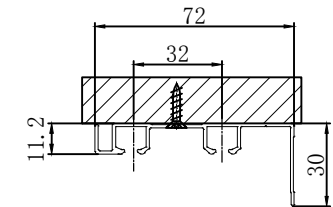
Door width calculation for 2 doors/Türbreitenberechnung für 2Türen



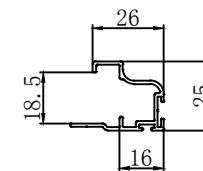
Tracks/Schienen



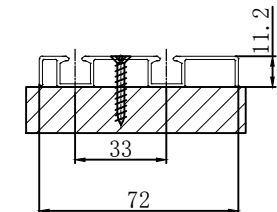
Running & Guiding track single



Guiding track double



Vertical handle frame



Running track double

Door width calculation for 3 doors/Türbreitenberechnung für 3 Türen

